



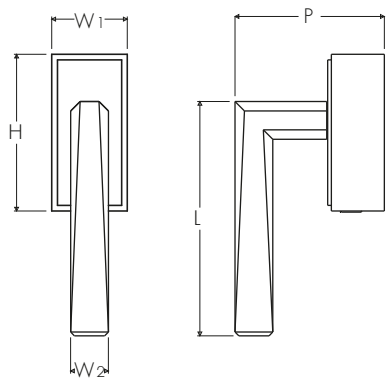
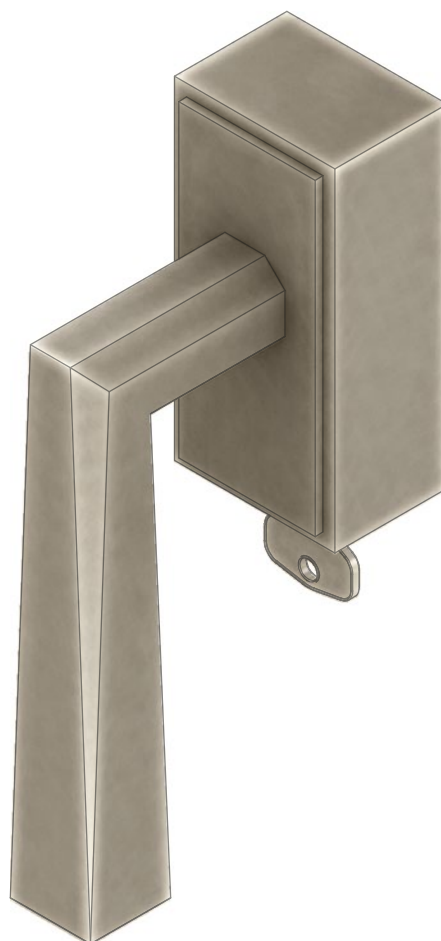
ATELIER BONOMI

Drehkipp con Chiave per Finestra Serie Octo Octo Series Drehkipp Window Handle with Key

Dimensioni
Dimensions

L	P	W 2	W 1	H
124	79	20	40	83

Dimensioni in millimetri
Dimensions given in millimeters



Fornito con meccanismo DK \varnothing .7x45mm e viti M5x50mm.
Disponibile in tutte le finiture standard.

Dimensioni e finiture su misura disponibili su richiesta.

Regularly furnished with DK mechanism \varnothing .7x45mm and M5x50mm screws.
Additional sizes available by special order. Available in standard and custom finishes.